

Air Bear™ Right Angle

Whole-House Media Air Cleaner



Performance

- TRION Air Bear deep filters help mitigate the usual reduced airflow when using high MERV filters.
- Tested in accordance with ANSI/ASHRAE 52.2-2012.
- Rated airflow of up to 2000 CFM.
- TRION Air Bear deep media filters capture & hold pollutants inside the filter protecting you and your home.
- TRION's non-woven 5" deep pleated MERV 13 Air Bear filters are capable of trapping particles smaller than 100 nanometers.
- The electrostatically charged synthetic filter medial provides superior efficiency with minimal pressure drop.

FEATURES

Quick and easy installation

Sliding air inlet flange to simplify duct connection

Suitable for all types of furnances and central forced air unitary HVAC equipment

Ideal for basement and closet HVAC systems

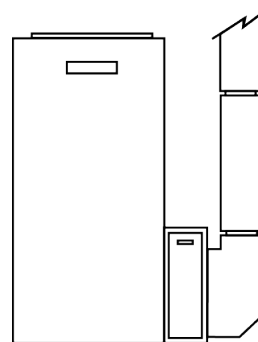
Cabinet door can be moved to either side

Rugged heavy duty construction

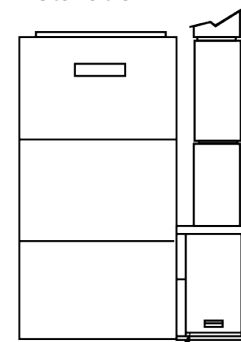
Warranty

- Lifetime limited warranty on cabinet.

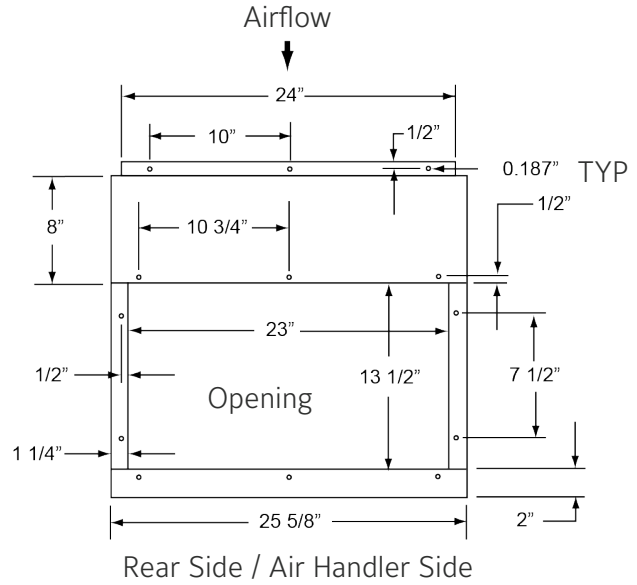
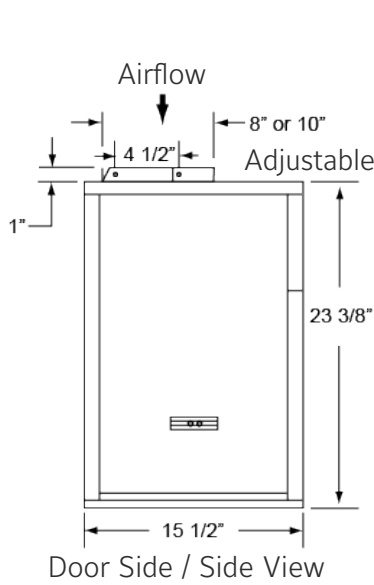
Typical Installation



Air Bear Right Angle Installation



Space Saver
Smaller Footprint



Model Family By Filter Efficiency	Air Bear Right Angle		
	MERV 8	MERV 11	MERV 13
Steel Thickness	22 Gauge	22 Gauge	22 Gauge
Part # (White Powder Coat)	102-447380-010	102-447380-510	102-447380-0010
Rated Airflow	Up to 2000 CFM		
Media Filter Size	20" H x 25" W x 5" D (Nominal Sizing)		
Air Bear Media Filter Part # (3-Pack)	102-255649-102	102-259112-102	102-266649-102
Alternative Filter Air Bear Black Media Filter Part # 2-Pack	102-288649-202 Dual Layer Filter MERV 10 with Carbon for Odor Absorption		
Media Listing	UL Classified (See Complete Marking on the Filter)		
Universal Application	Supports both Right/Left-Handed Installation		